

maxon

Professional Two-Way Radio

SD-125E Series Data/Telemetry Radios

Features:

- Available 1 VHF (V2) and 2 UHF (U1, U2) Bands
- 16 Channels (Dip Switch Select)
- 5/1 Watt Tx Power Out
- 12.5/25 kHz Channel Bandwidth
- Tx Time Out Timer
- DE-9 Male RS-232 Connector
- Carrier Detect, Busy Channel Lockout
- BNC Female Antenna Connector
- PC Program RF Parameters/Squelch

Maxon Data/Telemetry radios are affordable for any data radio application. The SD-125E is an up featured improvement of the original very widely deployed SD-125. It is available in V2 (VHF, 148-174 MHz), U1 (UHF, 400-430 MHz), and U2 (UHF, 440-470 MHz) frequency ranges.

The SD-125E cabinet design is the most often requested mechanical footprint in this market and is equipped with a BNC antenna connector and DE-9 data port (RS-232). The high performance package is fitted in a cast aluminum cabinet and lid for exceptional environmental durability.

The SD-125E can be configured for POCSAG paging in addition to its use in SCADA/Telemetry systems. It is also very effective in "back haul" applications. When configured as directional links, they easily exceed 20 miles in range. In typical applications, using a portable radio antenna, the radio exceeds range requirements.



Applications:

- Water/Waste Treatment Plants
- Oil and Gas Field SCADA
- Security/Alarm Systems
- On Site Paging Systems
- Gate ID Tag Systems
- Automatic Vehicle Location
- Remote Controls
- Commercial Sign Control
- Murphy/Kill Switches
- Weather Monitoring Stations
- Irrigation Systems
- Emergency Call Boxes
- Low Power Repeaters



Professional Two-Way Radio SD-125E Series Data Radio

Preliminary Information

Specifications

GENERAL

SD-125E V2	148-174 MHz
SD-125E U1	400-430 MHz
SD-125E U2	440-470 MHz
Channel Bandwidth	25/12.5 kHz
PLL Channel Step	2.5 kHz, 5 kHz, 6.25 kHz
Power Requirement	9-18 V DC, 12V nominal
Temperature Range	-22° to 140° F, -30° to +60° C
Dimension (L/W/H)	4.6 x 2.4 x 1.19" (117x62x30 mm)
Weight	7.7 oz (218 gm)

Manufactured to ISO-9001:2000 quality standards.



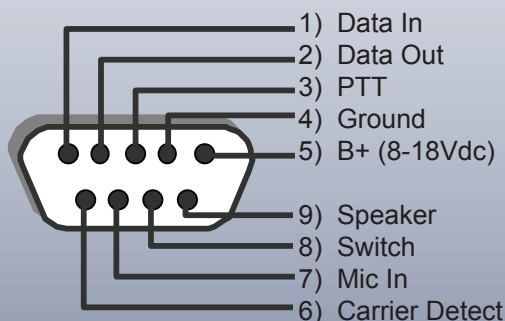
Transmitter

Output Power	5/1 Watt VHF/UHF
Spurious Emissions	-60 dBc
FM Hum and Noise	-40 dB @ 12.5 kHz
	-40 dB @ 25 kHz
Modulation Sensitivity	100 mV RMS @ 60% peak dev.

Receiver

Sensitivity	.25 uV VHF	.35 uV UHF
Selectivity	-50 dB @ 12.5 kHz	-60 dB @ 25 kHz
Intermodulation	-65 dB	
Spurious Response	-70 dB	
Intermodulation	-65 dB	
Audio Output	2.5 V @ 600 Ω	

DE-9 Male Connector Pin Out



Accessories

- BNC Antenna VHF and UHF (both UHF bands)
- RS-232 Programming Cable
- Programming Software, Win XP (backward compatible with SD-125)

FCC / Industry Canada

SD-125E V2	RXUSD-125EV4	153B-SD125EV2
SD-125E U1	RXUSD-125EU1	153B-SD125EU1
SD-125E U2	RXUSD-125EU2	153B-SD125EU2

Contact Information



TecNet International, Inc.

11535 W. 83rd Terrace, Lenexa, KS 66214
 Tele: 800-456-2071 Toll Free U.S.
 Tele: 913-859-9515
 FAX: 913-859-9550
 Web: www.tecnetusa.com
 e-mail: tecnet@tecnetusa.com