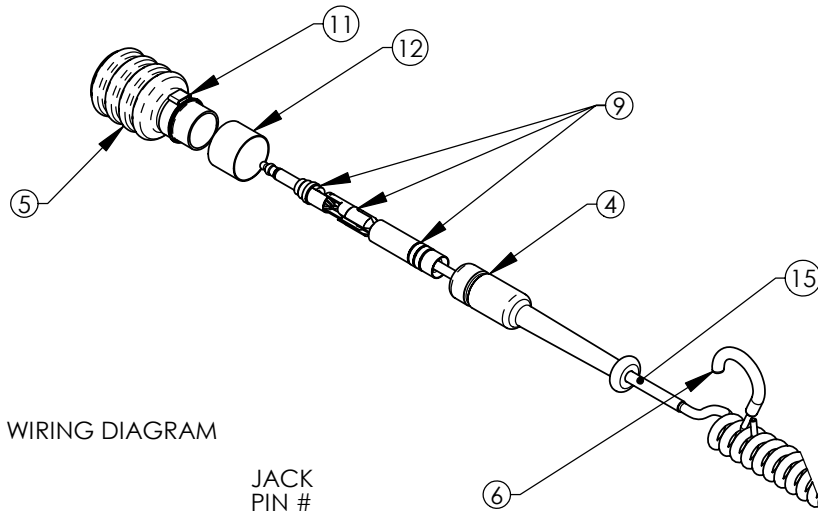
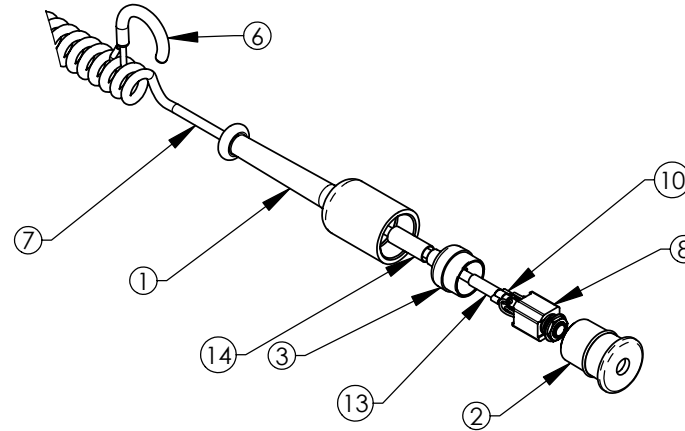
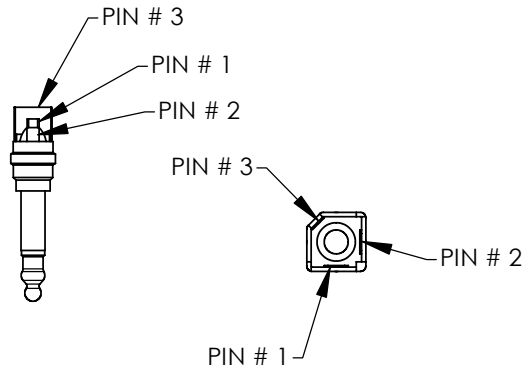
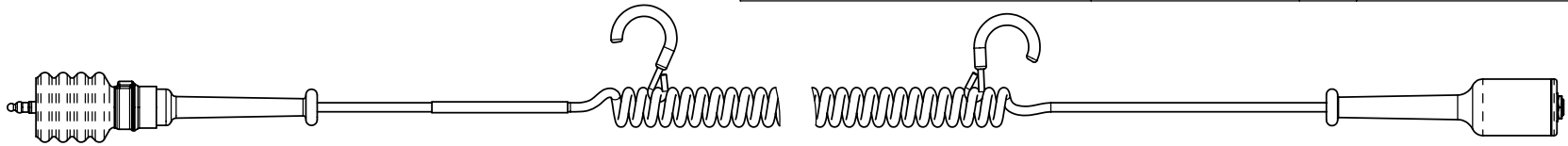


COMMERCIAL RESTRICTIVE LEGEND: ALL ITEMS, ASSEMBLIES, SPECIFICATIONS AND DIMENSIONS INCLUDED ON THIS DRAWING ARE PROPRIETARY TO AND THE PROPERTY OF GOLDEN WEST COMMUNICATIONS, INC. AND MAY NOT BE USED TO MANUFACTURE OR DUPLICATE THE ITEMS SHOWN HEREON. THE CONTENTS OF THIS DRAWING ARE NOT TO BE USED, REPRODUCED, OR DISCLOSED TO ANY THIRD PARTY WITHOUT THE EXPRESS WRITTEN AUTHORIZATION OF GOLDEN WEST COMMUNICATIONS, INC.



GOLDEN WEST COMMUNICATIONS
3509 Main St.
Union Gap, Washington 98903

| | | |
|----------------------------------|------------------------------|-----------|
| TITLE CABLE, EXTENSION 25' | PART NO. 511-20011 | REV. G |
| | DRAWING NO. 511-20011-exp | |
| | SHEET 1 OF 1 | |



WIRING DIAGRAM

| | |
|-------------------------|---------------|
| PLUG PIN# | JACK PIN # |
| 1-----RED----- | 1----- |
| 2-----BLACK----- | 2----- |
| 3-----WHITE\SHIELD----- | 3----- |

| | | | |
|------|---------------|--|------|
| 1 | 211-41001-051 | HEATSHRINK, 2' OF 1/4", BLACK | 15 |
| 1 | 211-41001-011 | HEATSHRINK, 3/8", BLACK, EPOXY | 14 |
| 1 | 211-41001-019 | HEATSHRINK, 1/4", BLACK | 13 |
| 1 | 211-41001-044 | HEATSHRINK, 3/4" OF 1", BLACK | 12 |
| 1 | 211-41081-008 | CLAMP, 15/16", 1-EAR, OETIKER, CABLE | 11 |
| 1 | 211-41081-002 | CLAMP, CABLE, 2 EAR, 3/16" | 10 |
| 1 | 211-40220 | PLUG, PHONE, 1/4", BLACK METAL SHELL | 9 |
| 1 | 211-40237 | JACK, PHONE | 8 |
| 1 | 211-20012-1 | CABLE, 25', YELLOW, COILED | 7 |
| 2 | 311-20000 | S-HOOK, CABLE, PUSHBACK EXTENSION | 6 |
| 1 | 311-41962 | CONNECTOR PROTECTOR, MODIFIED | 5 |
| 1 | 311-41084 | HANDLE, PLUG | 4 |
| 1 | 311-42152 | CAP, CONNECTOR SHELL | 3 |
| 1 | 311-41920 | SHELL, CONNECTOR, AIRLINE CABLE | 2 |
| 1 | 311-41921 | HANDLE, JACK, PUSHBACK EXTENSION CABLE | 1 |
| QTY. | PART NO. | DESCRIPTION | ITEM |