

WIRING DIAGRAM

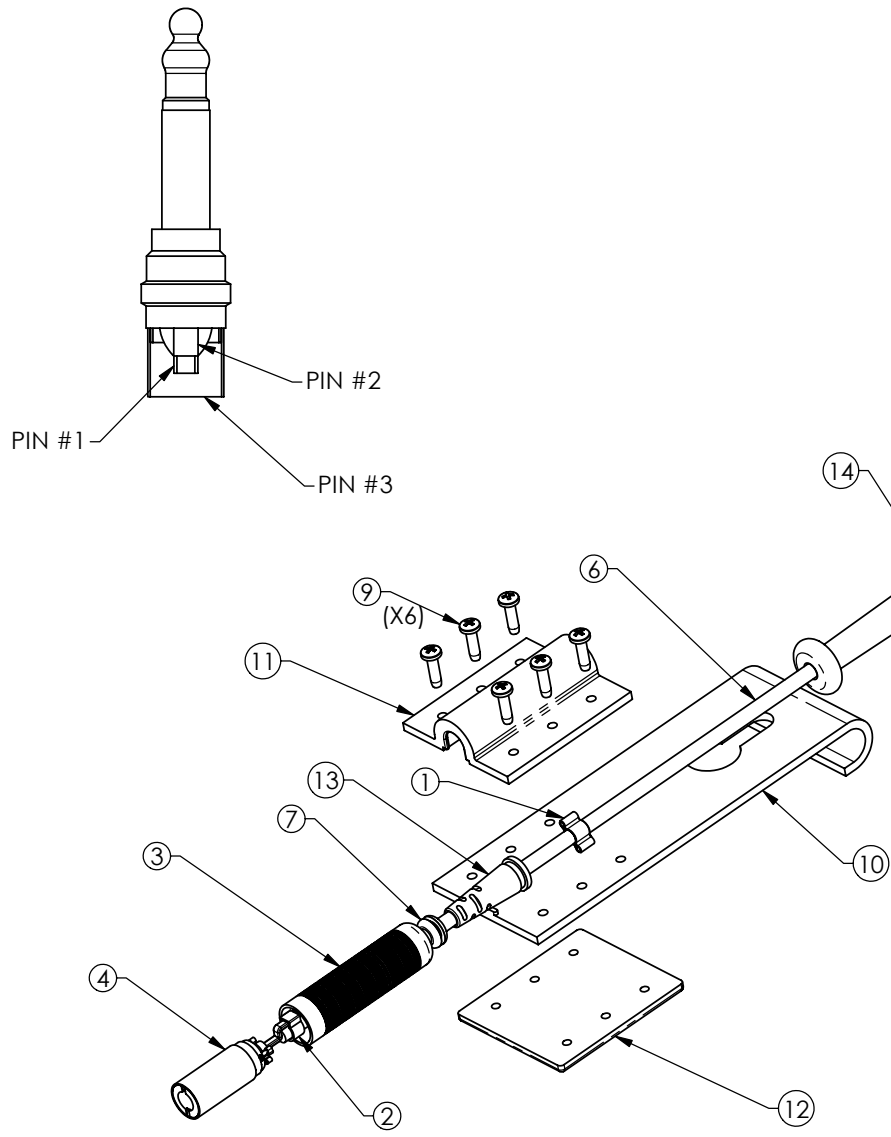
PLUG		JACK
PIN #		PIN #
1-----GREEN-----	-----	4
2-----BLACK-----	-----	2
3-----WHITE/SHIELD-----	-----	1

COMMERCIAL RESTRICTIVE LEGEND: ALL ITEMS, ASSEMBLIES, SPECIFICATIONS AND DIMENSIONS INCLUDED ON THIS DRAWING ARE PROPRIETARY TO AND THE PROPERTY OF GOLDEN WEST COMMUNICATIONS, INC. AND MAY NOT BE USED TO MANUFACTURE OR DUPLICATE THE ITEMS SHOWN HEREON. THE CONTENTS OF THIS DRAWING ARE NOT TO BE USED, REPRODUCED, OR DISCLOSED TO ANY THIRD PARTY WITHOUT THE EXPRESS WRITTEN AUTHORIZATION OF GOLDEN WEST COMMUNICATIONS, INC.



GOLDEN WEST COMMUNICATIONS  
3509 Main St.  
Union Gap, Washington 98903

TITLE	PART NO.	REV.
CABLE, BREAKAWAY	411-40053	D
	DRAWING NO.	
	411-40053-exp	
	SHEET 1 OF 1	



1	211-41001-044	HEATSHRINK, 3/4" OF 1", BLACK	16
1	311-41962	CONNECTOR PROTECTOR, MODIFIED	15
1	311-41084	HANDLE, PLUG	14
1	311-21040-002	STRAIN RELIEF, 0.207" ID, BLACK	13
1	311-41031	PLATE, BACKING, BREAKAWAY CABLE	12
1	311-41030	PLATE, SCREW, BREAKAWAY CABLE	11
1	311-41029	HOOK, BREAKAWAY CABLE	10
6	211-41031-078	SCREW, #6-20 x 1/2", PAN, THREAD-FORMING	9
1	211-41081-008	CLAMP, 15/16", 1-EAR, OETIKER, CABLE	8
1	211-41071-001	GROMMET, 0.187" I.D.	7
1	211-41011-011	CABLE, 3 CONDUCTOR, 22AWG, YELLOW	6
1	211-40220	PLUG, PHONE, 1/4", BLACK METAL SHELL	5
1	211-40115	JACK, TELEPHONE, 4 CONDUCTOR	4
1	211-40114	SHELL, JACK, TJ-101	3
1	211-40113	CLAMP, CABLE	2
1	211-41081-006	CLAMP, 1/4", 2-EAR, OETIKER, CABLE	1
QTY.	PART NO.	DESCRIPTION	ITEM