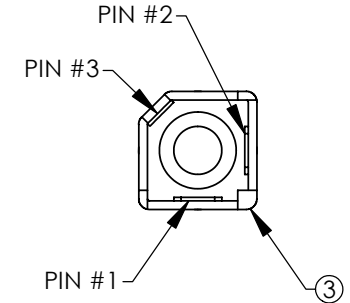
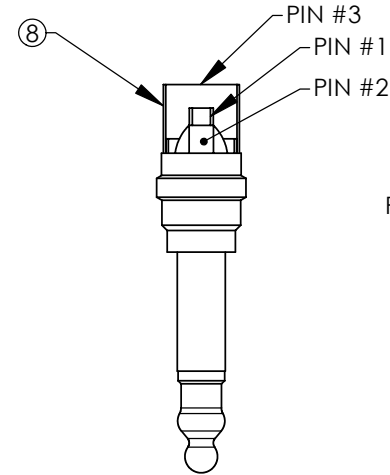
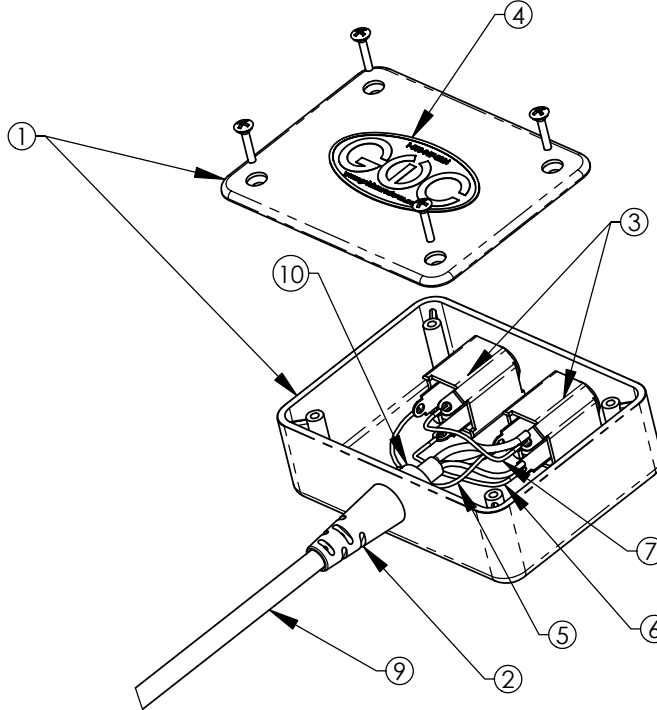
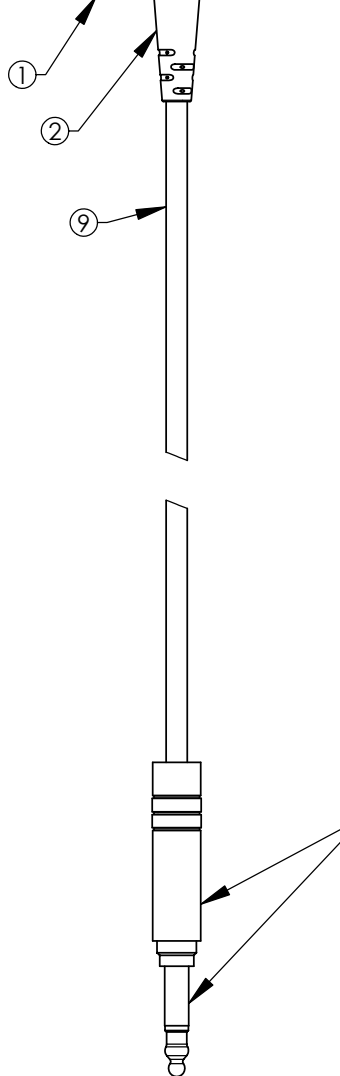
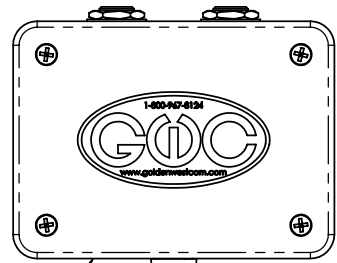


COMMERCIAL RESTRICTIVE LEGEND: ALL ITEMS, ASSEMBLIES, SPECIFICATIONS AND DIMENSIONS INCLUDED ON THIS DRAWING ARE PROPRIETARY TO AND THE PROPERTY OF GOLDEN WEST COMMUNICATIONS, INC. AND MAY NOT BE USED TO MANUFACTURE OR DUPLICATE THE ITEMS SHOWN HEREON. THE CONTENTS OF THIS DRAWING ARE NOT TO BE USED, REPRODUCED, OR DISCLOSED TO ANY THIRD PARTY WITHOUT THE EXPRESS WRITTEN AUTHORIZATION OF GOLDEN WEST COMMUNICATIONS, INC.



GOLDEN WEST COMMUNICATIONS
3509 Main St.
Union Gap, Washington 98903

TITLE Y-ADAPTOR, PUSHBACK	PART NO. 511-50805	REV. A
	DRAWING NO. 511-50805-exp	
	SHEET 1 OF 1	



WIRING DIAGRAM

PLUG PIN#		JACK PIN #	JACK PIN #
1	-----GREEN-----	1	-----1
2	-----BLACK-----	2	-----2
3	-----WHITE\SHIELD-----	3	-----3

QTY.	PART NO.	DESCRIPTION	ITEM
1	211-41081-004	CLAMP, 5/16", 2-EAR, OETIKER, CABLE	10
18"	211-41011-011	CABLE, 3 CONDUCTOR, 22AWG, YELLOW	9
1	211-40220	PLUG, PHONE, 1/4", BLACK METAL SHELL	8
1	211-41121-010	WIRE, HOOK-UP, 28AWG, 2", WHITE	7
1	211-41121-064	WIRE, HOOK-UP, 24AWG, 2", BLACK	6
1	211-41121-008	WIRE, HOOK-UP, 28AWG, 2", GREEN	5
1	211-50003	LABEL, GWC LOGO, METALLIC	4
2	211-40237	JACK, PHONE	3
1	311-21040-003	STRAIN RELIEF, 0.235" ID, BLACK	2
1	211-40240-03	ENCLOSURE, 3.250" x 2.375" x 1"	1